

# REMCO DRIVE SHAFT COUPLING MEASUREMENT

# FAX (& RETURN FAX) COVER SHEET

<b>REMCO</b> FAX: 402/339/2167 LOCAL: 402/339-3298 TOLL FREE: 800/238-2481
CONFIRMATION #  

To:	FROM:
_____	
Fax:	
_____	
(FOR RETURN FAX) To:	FROM:
_____	
Fax:	
_____	

COMPANY PLACING THE ORDER: \_\_\_\_\_  
SHIPPING \_\_\_\_\_  
ADDRESS: \_\_\_\_\_  
CITY: \_\_\_\_\_ STATE: \_\_\_\_\_ ZIP: \_\_\_\_\_  
PERSON ORDERED BY: \_\_\_\_\_  
DATE: \_\_\_\_\_  
P.O: \_\_\_\_\_  
PHONE NUMBER: \_\_\_\_\_

Directions:

1. Circle drive shaft assembly (on page 2) that matches your drive shaft assembly.
2. On circled assembly, enter the measurements (**in inches**) on the provided lines. **USE INK PEN.**
3. Complete the vehicle information section below.
4. Fax to REMCO at (402) 339-2167 or EMAIL to remco@remcotowing.com (Fax while customer is present if possible.)
5. Wait for confirmation, either by phone call or email.
- \*\*NOTE: IT IS IMPORTANT TO MEASURE THIS VEHICLE UNLOADED, ON LEVEL GROUND OR ON A DRIVE ON LIFT\*\***
6. Please check and make sure you have a confirmation number on both Pages 1 & 2. If you do not have a confirmation number, please call REMCO.

### **VEHICLE INFORMATION SECTION**

1. Year: \_\_\_\_\_ Make: \_\_\_\_\_ Model: \_\_\_\_\_  
Engine Size: \_\_\_\_\_ V.I.N. (Vehicle Identification Number): \_\_\_\_\_
2. Long bed or short bed (Circle One)
3. Regular Cab Extended Cab Crew Cab (Circle One)
4. Automatic or Manual Transmission (Circle One)
5. 2WD OR 4WD (Circle One)

Revision and pricing as of 12 MAR 08

**\*FAX BOTH PAGES 1 & 2 TO REMCO**

# REMCO DRIVE SHAFT COUPLING MEASUREMENT SHEET

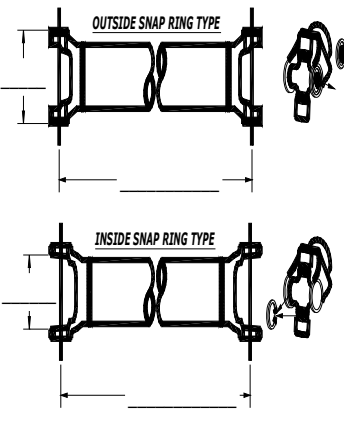
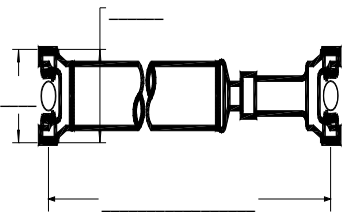
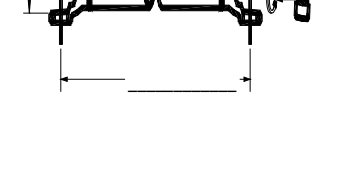
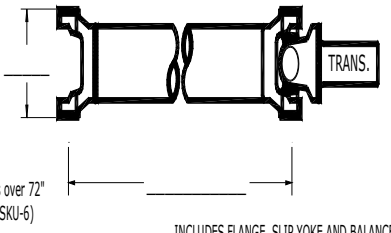
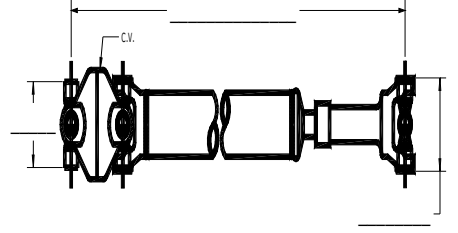
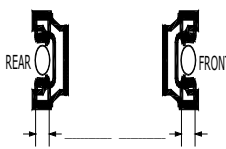
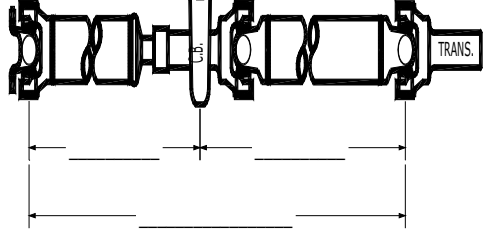
**REMCO**

FAX: 402/339/2167  
 LOCAL: 402/339-3398  
 TOLL FREE: 800/228-2481

COMPANY PLACING THE ORDER: \_\_\_\_\_

DATE: \_\_\_\_\_

CONFIRMATION # \_\_\_\_\_

<p><b>SKU-1</b> \$750.00 RETAIL (NOT BALANCED)</p> 	<p><b>SKU-2</b> \$900.00 RETAIL (NOT BALANCED)</p> 
<p><b>SKU-3</b> \$1150.00 RETAIL</p> 	<p><b>SKU-4</b> \$1,150.00 RETAIL</p>  <p>NOTE: F-150 Drive shafts over 72" are priced at \$1,500.00 (SKU-6)</p> <p>INCLUDES FLANGE, SLIP YOKE AND BALANCE</p>
<p><b>SKU-5</b> \$1,500.00 RETAIL</p> 	<p><b>*IMPORTANT*</b>                  MUST HAVE U-JOINT CAP MEASUREMENTS FOR EVERY DRIVE SHAFT STYLE.</p> 
<p><b>SKU-6</b> \$1,500.00 RETAIL (2WD F-150'S ONLY. STYLE USED ON F-150'S 72" AND LONGER)</p> 	<p><b>REMCO NOTES</b></p> <p>(A) ALL TOYOTA'S 2005 AND OLDER: FLANGES MUST BE MEASURED</p> <p>(B) VEHICLES WITH A CARRIER BEARING: MEASURE REAR DRIVE SHAFT USING SKU-1 THROUGH SKU-3 EXCEPT 2WD F-150 THEN USE (SKU-6)</p> <p>(C) F-150 2WD THAT ARE MEASURED USING SKU-4 ARE PRICED AT SKU-6. THE REPLACEMENT DRIVE SHAFT WILL BE FURNISHED AS A SKU-6.</p> <p>(D) MEASURE U-JOINT CUP AND YOKE WIDTH.</p>

Revision and pricing as of 12 MAR 08

**\* FAX BOTH PAGES 1 & 2 TO REMCO**